

WATER HEATER BUILDING PERMIT APPLICATION

Application Date ____/____/____

Property & Owner Information			
Owner Name			
Phone			
Email Address			
Street Address	_____		
	Romeoville, Illinois 60446		
Subdivision & Lot #	Subdivision _____ Lot # _____		
Work Performed by Homeowner			
If you are doing the work, yourself complete the <i>Property Owner's Acknowledgement of Responsibility</i> form.			
Contractor Information			
If you are using a contractor or sub-contractor, a copy of the signed contract shall be included with the application and the following information shall be provided. All contractors and sub-contractors in Romeoville shall be registered, licensed and bonded with the Village.			
Contractor Name			Village Registration No. _____
Contractor Address (P.O. Box)	_____		
Contractor Phone		Email Address	_____
Who is the applicant?	<input type="checkbox"/> Owner <input type="checkbox"/> Renter <input type="checkbox"/> Contractor		
Who will be doing the work? Check all that apply.	<input type="checkbox"/> Self <input type="checkbox"/> General Contractor <input type="checkbox"/> Sub-Contractor(s)		
Who is the contact person?	<input type="checkbox"/> Homeowner <input type="checkbox"/> Contractor		
Estimated Cost	\$		

Office Use Only		<div style="border: 1px solid black; padding: 5px; width: fit-content; margin: 0 auto;"> Status Sticker <small>OFFICIAL USE ONLY</small> </div>
Application Date:	_____	
Received By:	_____	
Permit #:	_____	Cost of Permit: \$ 25.00

CONSTRUCTION REQUIREMENTS:

<i>Please read the requirements and place a ✓ in the column to the left to confirm that you understand.</i>		Office Use
General Requirements		
	Water heater installation to conform with 2014 Illinois State Plumbing code, 2021 International Fuel Gas Code and 2021 International Mechanical Code.	
	All water heaters shall be installed per manufacture specifications.	
	Dielectric unions are required for water inlet and outlet. If the water heater has dielectric nipples installed, unions are still required.	
	All water piping to be solid piping, (K, L or M), no flexible connectors.	
	All flue piping to have three screws per joint, including draft diverter.	
	Gas piping to be solid black pipe with union, valve and sediment drip leg. No flexible gas connectors.	
	Relief valve discharge pipe shall be metal, copper, galvanized or black pipe.	
	Install a #8 jumper wire (100 amp) or #4 jumper wire (200 amp) on water pipe supply lines, (hot and cold). Green coated, solid or stranded wire.	

Permit & Inspection Requirements		Office Use
<i>Please read the requirements and place a ✓ in the box to the left to confirm that you understand.</i>		
<input type="checkbox"/>	The Building Permit shall be posted in the building's window where it can be seen from the street.	
<input type="checkbox"/>	All contractors need proper licensing and bonding. Contractors shall be registered with the Village of Romeoville. Each phase of construction shall be inspected and approved by the Village of Romeoville prior to proceeding to the next stage of construction.	
<input type="checkbox"/>	• A final plumbing inspection	
<input type="checkbox"/>	• All inspections shall be scheduled in advance by calling (815)886-7200 or by emailing buildinginspections@romeoville.org . Your permit number shall be provided when inspections are scheduled.	
<input type="checkbox"/>	• Failure to call for required inspections may result in a "STOP WORK ORDER" .	
<input type="checkbox"/>	• Should you fail an inspection, a re-inspection fee shall be paid before continuing work and before scheduling another inspection. INVOICED AFTER 5 DAYS.	
<input type="checkbox"/>	• A FINAL INSPECTION SHALL BE PERFORMED WHEN IT'S COMPLETE. Once the inspection passes, a Certificate of Completion will be issued.	
<input type="checkbox"/>	The project shall start within thirty (30) days from the date the permit is issued and completed within ninety (90) days.	
<input type="checkbox"/>	All excavations and repairs made in sidewalks, parkways or streets must be inspected prior to backfilling by the Village of Romeoville Department of Public Works. If emergency sewer repairs are required after normal working hours (8:00 a.m. to 5:00 p.m.), during weekends or holidays, the contractor shall contact the Romeoville Police Department and leave a message with the Department's voice mail and a permit shall be applied for on the next business day.	

I hereby declare that I have read and understood this application. The above information and any attachments are correct. I agree, that in consideration of and upon issuance of a building or use permit, that I am allowed to do such work as herewith applied for, and that such premises shall be used only for such purposes as set forth above.

I hereby certify that I am the owner of record of the named property, or that the proposed work is authorized by the owner of record and that I have been authorized by the owner to make this application as his authorized agent and I agree to conform to all applicable laws of this jurisdiction. In addition, if a permit for work described in this application is issued, I certify that the code official or the code official's authorized representative shall have the authority to enter areas covered by such permit at any reasonable hour to enforce the provisions of the code(s) applicable to such permit.

Signature of Applicant: _____ Date: _____

Owner Tenant Agent Contractor Other specify _____

This Page for Office Use Only

Approval & Review Status

Building	Date Plans Received	
	Plans Examiner	
	Date Plans Approved	
	Plans Approved By	

Planning:	Date Plans Received	
	Plans Examiner	
	Date Plans Approved	
	Plans Approved By	

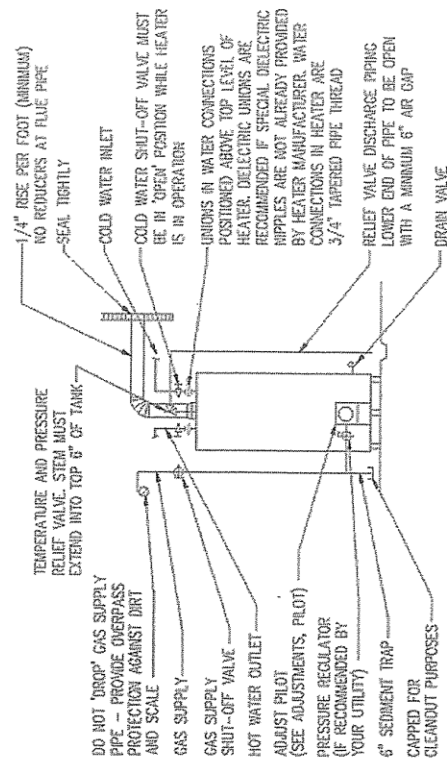
Clerical	Check for Outstanding Debt:	
	Contacted Date:	
	Person Contacted:	
	Contacted By:	

Notes	
-------	--

Section 890.APPENDIX I Illustrations for Subpart I

Section 890.ILLUSTRATION L Typical Gas Water Heater

(Referenced in Section 890.1220(a))



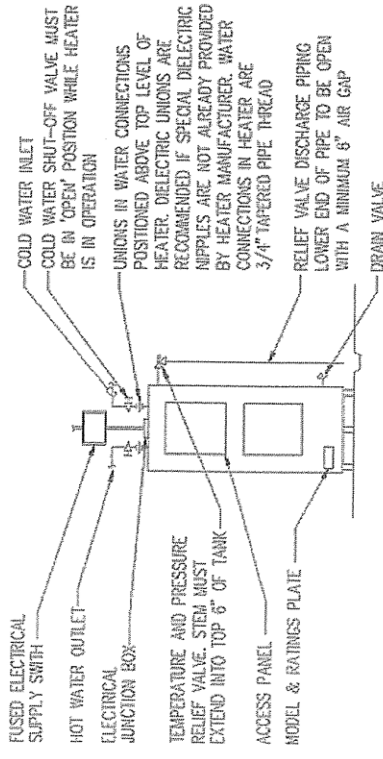
(Source: Amended at 38 Ill. Reg. 9940, effective April 24, 2014)

(Appendix I/Page - 12)

Section 890.APPENDIX I Illustrations for Subpart I

Section 890.ILLUSTRATION M Typical Electric Water Heater

(Referenced in Section 890.1220(a))



(Source: Amended at 38 Ill. Reg. 9940, effective April 24, 2014)

(Appendix I/Page - 13)